



# D815 Tessmann Worlds Edition

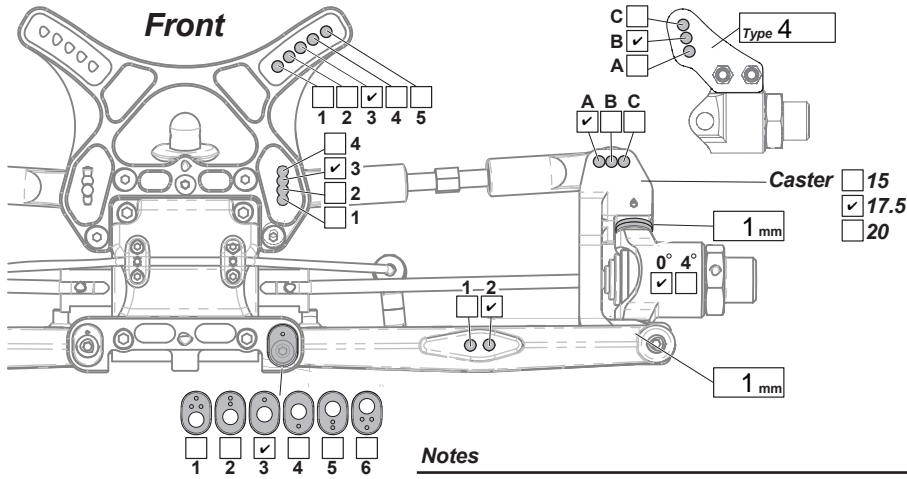
Driver Ty Tessmann

Date Feb 2015

Track Fear Farm

Event Dirt Nitro Challenge

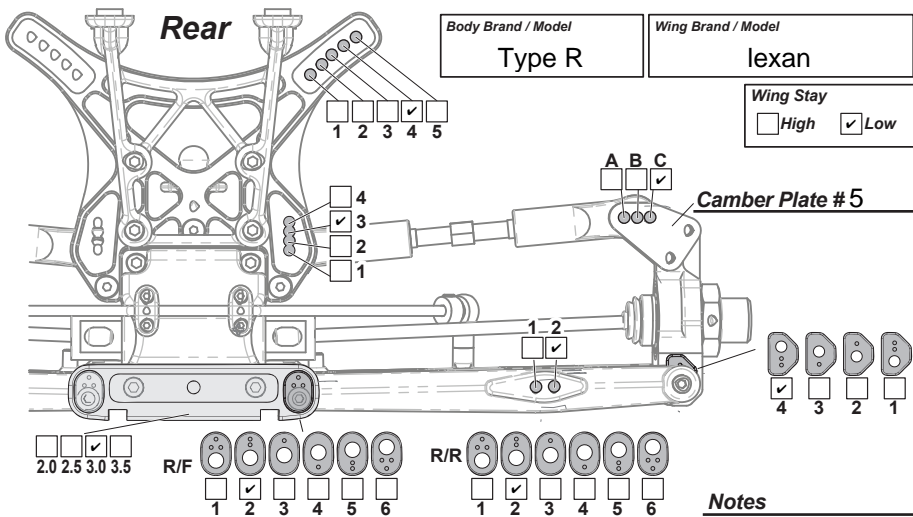
Track Condition bumpy, edgy, high speed, medium low grip, big jumps.



Ride Height	27 mm
Camber Angle	2°
Toe Angle	.5 out°
Sway Bar	2.2 mm
Shock Length	107 mm

Front Shocks	
Oil weight	30 wt
Piston	6X1.3 mm
Bladder	stock
Spring	HB yellow

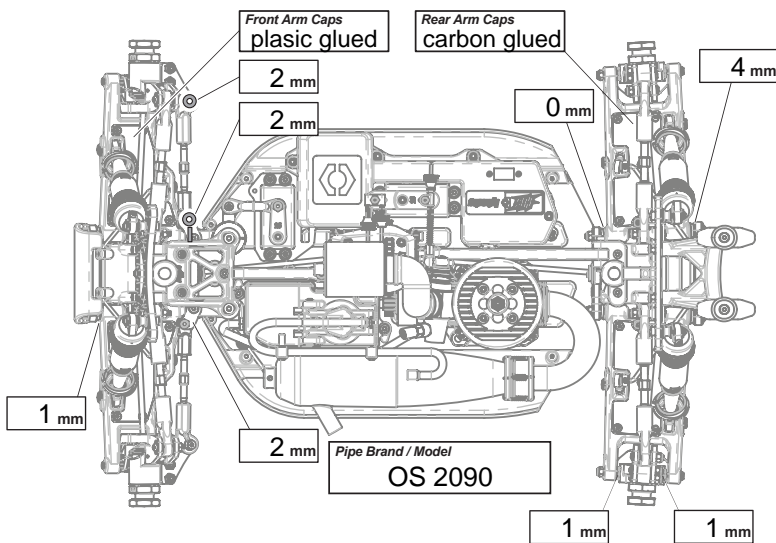
Notes



Ride Height	27 mm
Camber Angle	2°
Sway Bar	2.4 mm
Shock Length	124 mm

Rear Shocks	
Oil weight	25 wt
Piston	6X1.3 mm
Bladder	stock
Spring	HB blue

Notes



Notes

Engine	
Brand	OS Tessmann
Spur gear	48
Pinion gear	13
Clutch	aluminum
Glow Plug	P3
Glow Fuel	

Tires	Front	Rear
Brand	Proline	Lockdown
Compound	X3	X3
Insert	PL closed	cell
Wheel	PL	PL
Notes		

Diff Oils			
	Front	Center	Rear
Brand	losi	losi	losi
Oil Weight / Grade	5K	3K	2K